

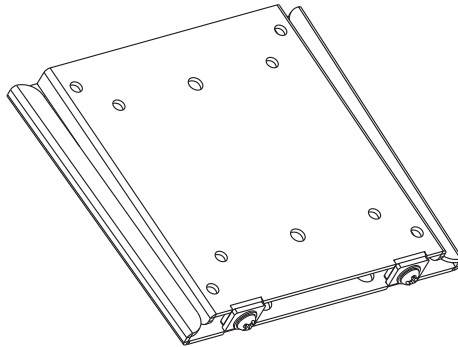


SHADOW MOUNT SERIES

Low-Profile TV Wall Mount

Model: LCD1130-SI / LCD1140-SI

Installation Instructions



UNPACKING INSTRUCTIONS

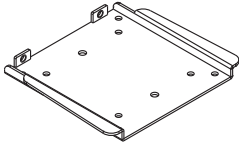
- Carefully open the carton, remove contents and lay out on cardboard or other protective surface to avoid damage.
- Check package contents against the Supplied Parts List on the next page to assure that all components were received and are undamaged. Do not use damaged or defective parts.
- Carefully read all instructions before attempting installation.

IMPORTANT SAFETY INFORMATION

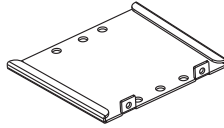
This product was designed to be used for a specific purpose and configuration. The manufacturer can not be held liable for damage or injury caused by assembly, installation, or use beyond the intended application.

- Please review these instructions prior to installation. Carefully follow assembly and installation instructions contained herein. Use of proper safety equipment and safe handling techniques during installation will greatly reduce the chance of accident or injury.
- If you do not understand these directions, or have doubts about your ability to safely complete the installation, please contact a qualified contractor.
- Check carefully to make sure there are no missing or defective parts. Never use defective parts.

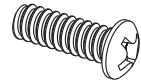
Supplied Parts List



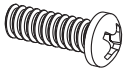
(1) Monitor Bracket-a



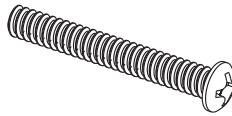
(1) Wall plate-b



(2) M5 x 15 Bolt-c



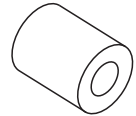
(4) M4x12 Bolt-d



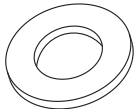
(4) M4x30 Bolt-e



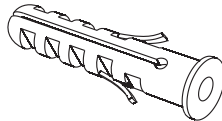
(8) M4 Washer-f



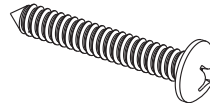
(4) M4 Space-g



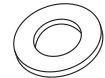
(4) Lag Bolt Washer-h



(4) Concrete Anchor-i



(4) Lag Bolt-j



(2) M5 Washer-k



WARNING

CAUTION!

This TV mount must be securely attached to the wall. If the mount is not properly installed it may fall, resulting in possible injury and/or damage.

Tools Required

- 3.8mm Drill Bit
- Phillips Screwdriver

- 8mm Masonry Bit
- Carpenter's Level

Note: The mounting components and hardware supplied in this package are not designed for installations to walls with steel studs or to cinder block walls. If the hardware you need for your installation is not included, please consult your local hardware store for proper mounting hardware for the application.

Step 1

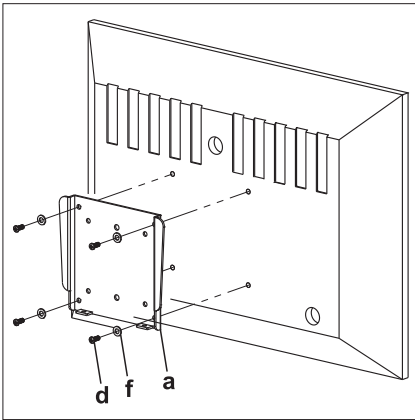
Mounting the Monitor Bracket to a TV

Step 1A Mounting the Monitor Brackets to a TV with Flat Back

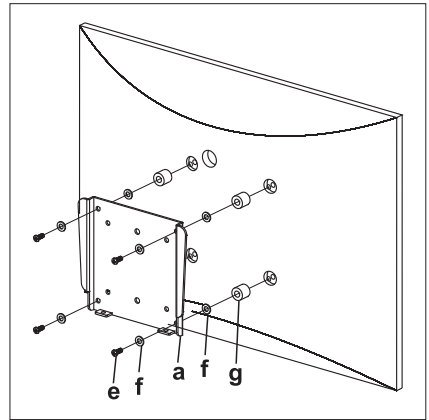
Locate the mounting holes on the back of your TV and determine the diameter of the screws to be used; M4 or M6. For a TV with a flat back you will use the set of short screws. Place the monitor bracket (a) against the back of the monitor, narrow end down, and align the holes. Place a flat washer (h, i) onto each M4 screws (d, f) and thread through a hole in the monitor bracket into each of the TV's mounting holes.

Step 1B Mounting the Monitor Brackets to a TV with Curved Back

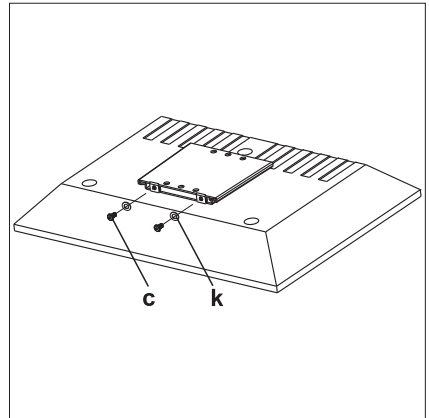
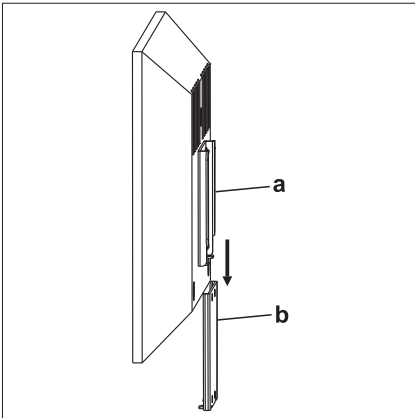
Locate the mounting holes on the back of your TV and determine the diameter of the screws to be used; M4 or M6. For a TV with a curved back you will use the set of long screws. Place a flat washer (h, i) onto each screw (e, g) and thread through a hole in the monitor bracket (a), narrow end down. Place another flat washer onto the screw and thread through a spacer (j) and into each of the TV's mounting holes.



For Flat Back TV



For Curved Back TV



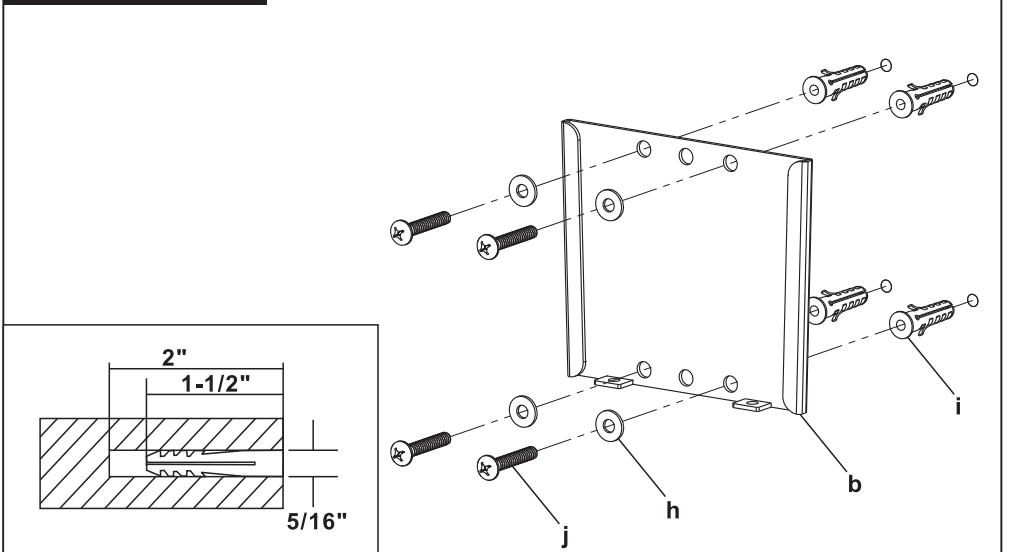
Step 2

Mounting the Wall Plate to the Wall

Brick, Solid Concrete and Concrete Block mounting:

The wall plate (b) can be used as a template for mounting to the wall. Place the wall plate against the wall surface, narrow end down, and place a level across the top. Once the wall plate is level mark the four outer hole locations on the wall. Drill the holes with a 5/16" masonry bit to a minimum depth of 2". Insert a concrete anchor (j) into each hole; the anchor must seat flush with the concrete surface, even through a layer of drywall or other material. Place a flat washer (k) onto the lag screw (m) and thread the lag screws through the holes in the wall plate and firmly tighten.

Brick Mount



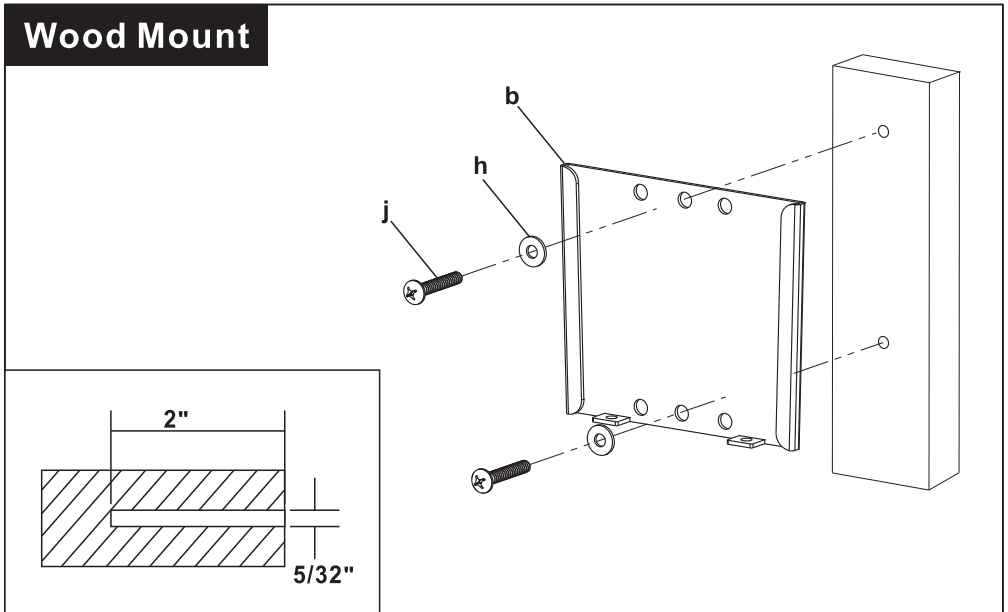
Step 2

Mounting the Wall Plate to the Wall

Wood Stud mounting:

For maximum holding strength the wall plate should be mounted to a wood stud. Alternate hardware is available to mount the wall plate to the wall when no stud is available in the desired location, check with your Dayton Audio dealer for options. Using a stud finder, locate and mark the right and left edge of the stud then mark the center. The wall plate (b) can be used as a template for mounting to the wall. Place the wall plate against the wall surface, narrow end down, and place a level across the top. Once the wall plate is level mark the two center hole locations on the wall, one top and one bottom. Prior to drilling, it is a good idea to verify the stud location using an awl or thin nail as shown in the diagram below. Drill the holes with a 1/8" bit to a minimum depth of 2". Place a flat washer (k) onto the lag screws (m) and thread the lag screws through the holes in the wall plate and firmly tighten.

Wood Mount



Step 3

Attach the TV to the Wall Plate

Thread two M6 x 12 screws (c) into the screw holes closest to the monitor. Attach the monitor plate to the wall plate by setting the screws into the slots on the wall plate. Secure in place using a hex screw (d) a flat washer (m) and a lock washer (n). Prior to tightening these screws for the final time, set the TV to the desired viewing angle.

Thank you for choosing Dayton Audio